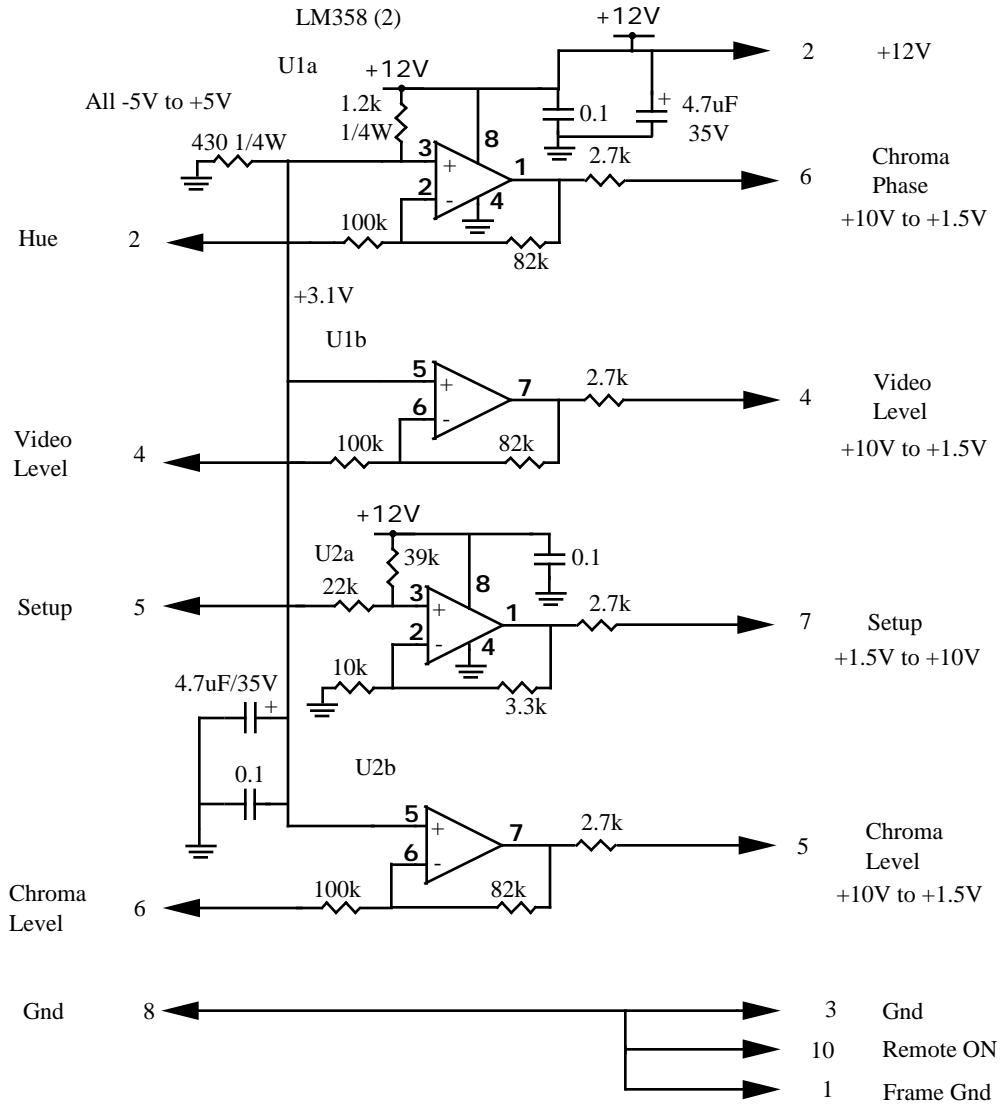


Ensemble Designs  
 TC400D Interface to JVC BR-S622U/S822U  
 SA-T22U and BRD Series  
 r1z 8-19-93 rev. 6-12-97

Note: BR-S622U & BR-S822U use SA-T22U Time Base Corrector

15 pin "D" Male on  
Cable at TC400D end

15 pin "D" Male on Cable  
at BR-S622U end



For Machine Type, Mnfr ID, use Sony.