

Model 7405

HD Test Signal Generator

The 7405 HD Test Signal Generator has simultaneous test signal and black outputs.

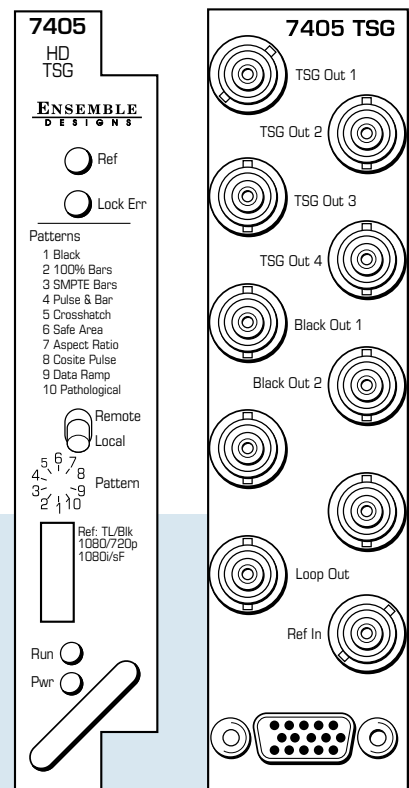
The 7405 genlocks to either composite video (PAL or NTSC) or to HD Tri-Level Sync. The module can lock to the frame's master reference, or reference can be connected directly to the module's external reference BNC.

Test signals include: Full and Split Field Bars at 75% and 100% with Pluge; Black; Flat Field; Pulse and Window; Ramp; Crosshatch; Safe Title; Blanking Markers; Cosite; Checkfield; and 5 Step. There are independent enables for each component so that Y, Cr, and Cb can be controlled separately, along with HD black outputs.

Test signals are selected from the module front edge or through the remote control system using an Avenue Control Panel and/or Avenue PC. Modules can be updated with new software as new formats are supported and test signals are added. Software is updated with Avenue's built-in networking capability.

Features

- » High Definition TSG
- » Simultaneous test signal and black outputs
- » Wide range of signals to choose from
- » Four HD serial digital outputs
- » Two HD black outputs
- » Use HD and SD modules in same frame
- » Genlock to Tri-Level Sync or Composite Video
- » Easy to configure and use



Output

Number Six (4 test signals, 2 black)
Signal Type HD Serial Digital
SMPTE 274M, 292M & 296M
Impedance 75 Ω
Return Loss >15 dB DC to 1.5 GHz

Standards Supported

1080i (SMPTE 274M -4,5,6) 50, 59.94 or 60 Hz
720p (SMPTE 296M -1,2,3) 50, 59.94 or 60 Hz
1080p (SMPTE 274M -9,10,11) 23.98, 24, 25 Hz
1080sF (RP211 -14,15,16) 23.98, 24, 25 Hz

Reference Input

Number One external (module's BNC)
One internal (frame master ref BNC)
Signal Type PAL or NTSC composite video
or HD Tri-Level Sync
Return Loss >40 dB
(applies to external ref input)

Accuracy and Stability

Stability Based on reference input
Jitter <0.2 UI (0.13 UI typical)

Test Signals

Black; Ramp; Bars 75 FF; Bars 75; Monitor Align;
Bars 100 FF; Bars 100; 5 Step; Window; Aspect;
Blanking; Cosite; Crosshatch; Safe Title; 50% Grey;
Checkfield

General Specifications

Power Consumption <7.0 watts
Temperature Range 0 to 40°C ambient
(all specs met)
Relative Humidity 0 to 95%, noncondensing
Altitude 0 to 10,000 ft

