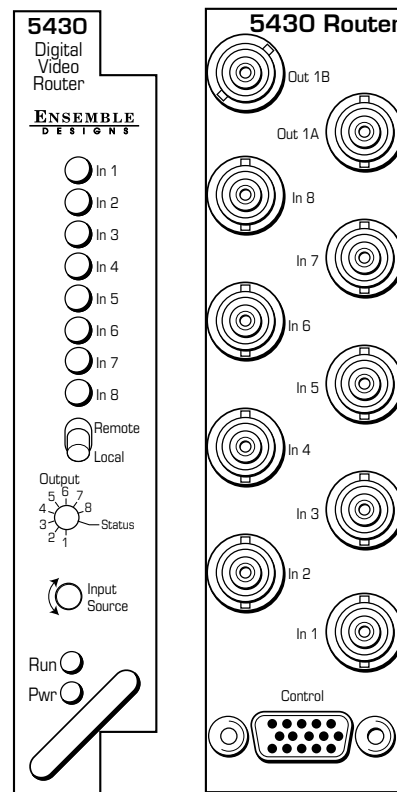


## 8x1 and 8x8 Digital Video Routers

The 5430 is an 8x1 Digital Video Router module that fits in any slot of either the 1RU or 3RU Avenue frames. This module is perfect for small routing applications such as monitoring, QC and graphics rooms.

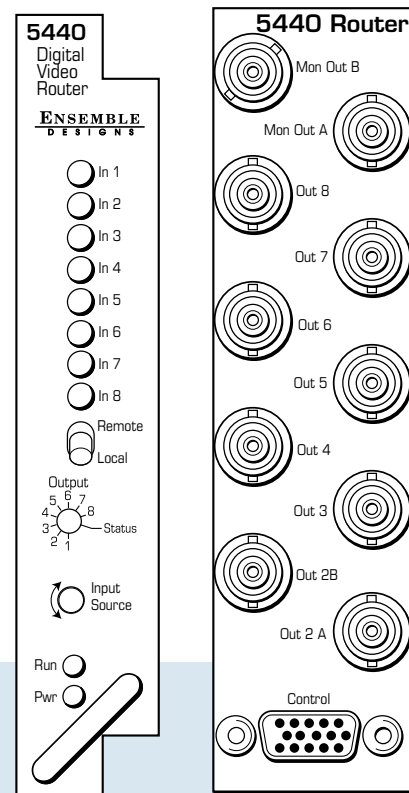
The 5440 module physically connects to the 5430 to make an 8x8 Digital Video Router and can be used in the Avenue 3RU frame. The 5440 also provides an analog monitor output which can track any of the eight serial output buses. An On Screen Display (OSD) text overlay indicates source and destination names and crosspoint configuration.

The router modules can be controlled through a Touch Screen Panel, Web Browser, Avenue PC or the Avenue external X-Y Router Control Panel. The X-Y Control Panel interfaces to the 8x1 or 8x8 configuration, connecting to the module's rear D connector.



### Features

- » 8x1 or 8x8 video routing
- » Vertical Interval switching
- » Reclocking and Equalizing
- » Passes embedded audio
- » GPI remote panel-capable interface
- » RS232/422-capable remote port
- » Optional X-Y Control Panel
- » Expandable to 8x8 with 5440 module occupying the adjacent slot
- » 8x8 has additional composite monitor output
- » 8x8 provides ID for source and destination



### X-Y Router Control Panel



**Input Signal**

<b>Number</b>	5430 – Eight/5440 – Eight
<b>Signal Type</b>	Serial Digital SMPTE 259M
<b>Impedance</b>	75 Ω
<b>Return Loss</b>	143, 177, 270 Mb/s >15 dB 360 Mb/s >15 dB
<b>Max Cable Length</b>	
143, 177, 270 Mb/s	300 meters Belden 1694A
360 Mb/s	200 meters
540 Mb/s	not specified

**Serial Output Signal**

<b>Number</b>	5430 Two Identical Outputs / 5440 – Eight
<b>Signal Type</b>	Serial Digital SMPTE 259M
<b>Impedance</b>	75 Ω
<b>Return Loss</b>	143, 177, 270 Mb/s >15 dB 360 Mb/s >15 dB 540 Mb/s not specified
<b>Output DC</b>	None (AC coupled)

**Composite Monitor Output - 5440 Only**

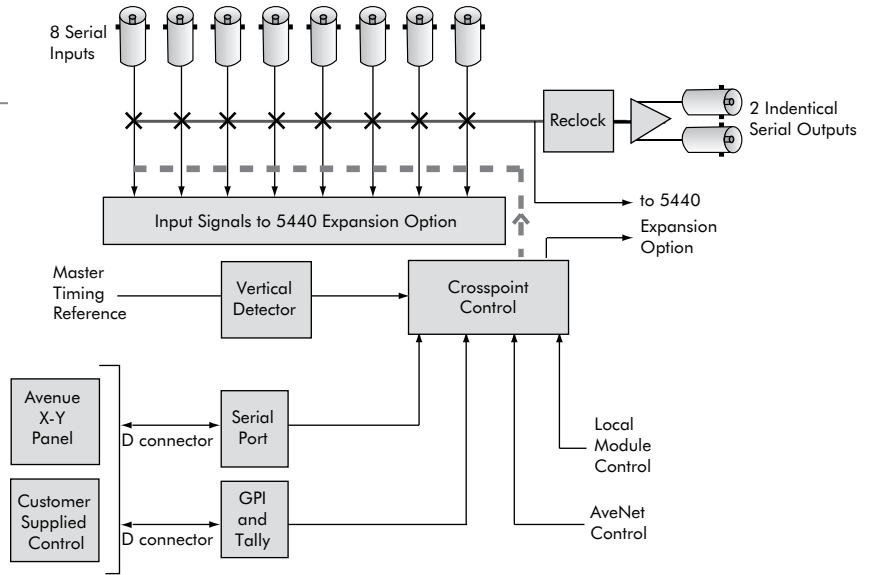
<b>Number</b>	Two identical
<b>Signal Type</b>	NTSC/PAL
<b>Impedance</b>	75 Ω
<b>Return Loss</b>	>40 dB
<b>Output DC</b>	<±200 mV
<b>Response</b>	±0.25 dB, 0 to 5.0 MHz
<b>K Factor</b>	<1.5%

**General Specifications**

5440 compatible with 3RU frame only

<b>Power Consumption</b>	<4.0 watts
<b>Temperature Range</b>	0 to 40°C ambient (all specs met)
<b>Relative Humidity</b>	0 to 95%, noncondensing
<b>Altitude</b>	0 to 10,000 ft
<b>Fusing</b>	1.5 Amp PTC resettable fuse

5430



5440

