

Four Channel Analog to Digital Video Converters

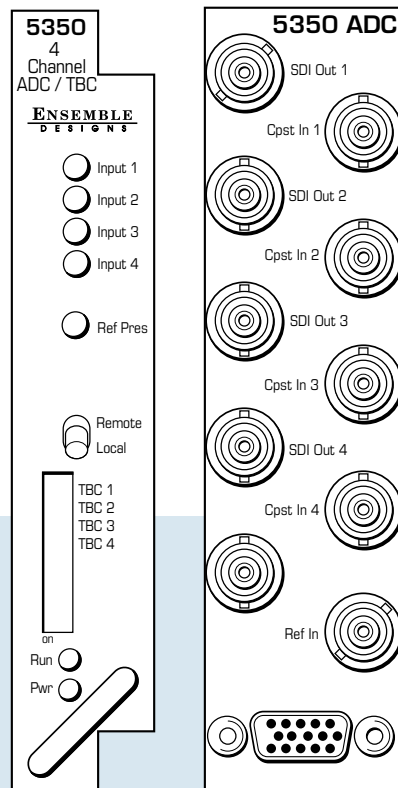
The Avenue 5350 and 5355 modules are four channel analog composite to serial digital video converters. Use these modules with routers, switchers, remote trucks or any application that requires many channels of high quality conversion.

12 bit analog to digital conversion, digital decoding of the composite input, and adaptive comb filtering ensure superior output signals. Proc amp functions allow adjustment of video, chroma, setup and hue.

5350 also has a genlock reference input and a TBC/Frame Sync for each of the four conversion channels. The 5350 can accept noisy inputs and is well suited for feeds from remote trucks and satellite receivers. Additionally, the 5350's outputs are independently timeable.

Features

- » Four channels of conversion on one module
- » Four analog inputs, four SDI outputs
- » 12 bit processing, 4 x oversampling
- » PAL/NTSC auto detect
- » Adaptive comb filter
- » Proc amp
- » 5350 has TBC/Frame Sync, independently timeable outputs
- » 5350 accepts noisy inputs
- » 5350 has an internal color bar generator



Analog Video Inputs (4 each)

Signal Type	NTSC, PAL Composite
Impedance	75 Ω
Return Loss	>40 dB DC to 5.5 MHz
Input DC	±1 volt DC
Input Hum	<100 mV

Reference Input (5350 only)

Signal Type	1 V P-P Composite Video, PAL or NTSC
Impedance	75 Ω
Return Loss	>40 dB

Serial Digital Outputs (4 each)

Signal Type	SMPTE 259M-C
Impedance	75 Ω
Return Loss	>15 dB
Output DC	None (AC coupled)

Analog Video to SDI Performance

Bit Resolution	12 bit input quantization, 4 x oversampling
Decoding	Adaptive Comb Filter, 3 or 5 line selectable
Signal to Noise	>62 dB, weighted
Frequency Response	±0.1 dB, 0 to 5.5 MHz

General Specifications

Power Consumption	<7.0 watts
Temperature Range	0 to 40°C ambient (all specs met)
Relative Humidity	0 to 95%, noncondensing
Altitude	0 to 10,000 ft

